

Handling System for Hood type Pre-wash Table with 500x400 Bowl and Strainer Left to Right, 1800mm

ITEM # _____

MODEL # _____

NAME # _____

SIS # _____

AIA # _____


865333 (PTSBHT18L)

 Prewash table with
 500x400mm bowl and
 strainer for Hood Type, left>
 right, 1800mm

Short Form Specification

Item No. _____

For hood type dishwashers. Constructed in 304 AISI stainless steel with backsplash mm250h. N. 2 square 40x40mm tubular legs on height-adjustable feet. Bowl size mm500x400x300h with drain hole and strainer. Basket direction: from left to right.

Main Features

- Supplied knocked-down and easy to assemble.
- To be secured to the dishwasher and fitted to the receiving and sorting tables at the other end.
- Plain undershelves and pre-rinse units available as optional accessories.
- Designed for 500x500 mm dishwashing racks.

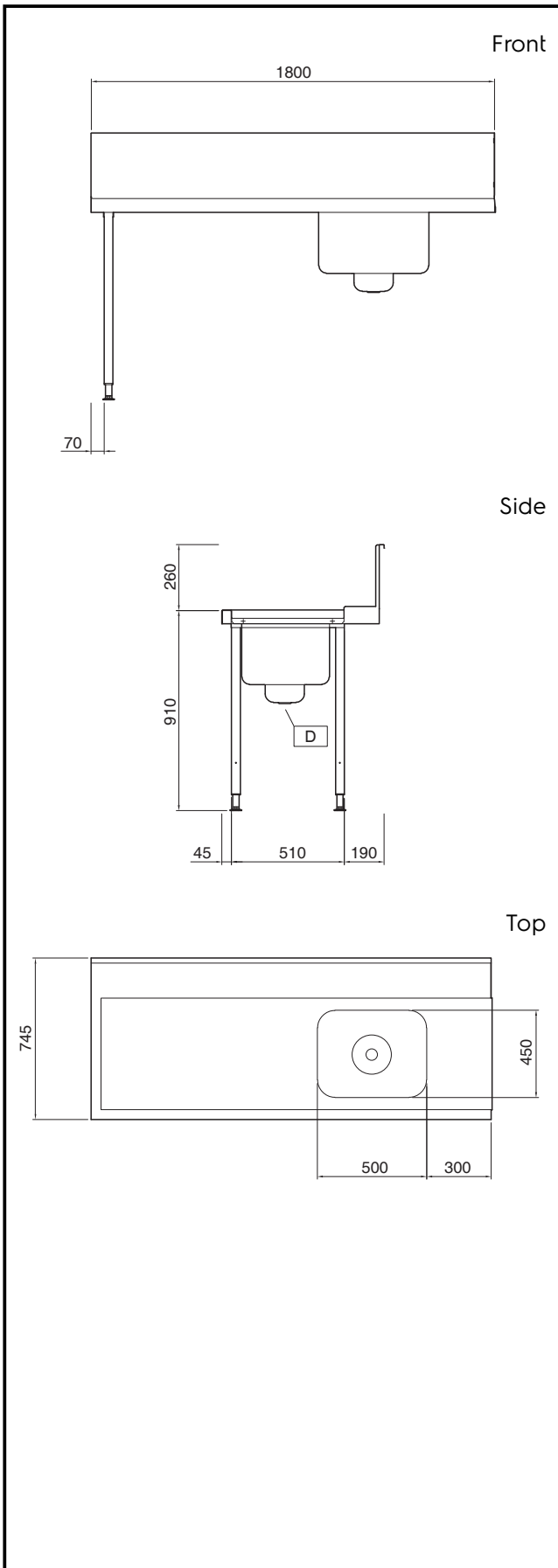
Construction

- Stainless steel feet 50 mm adjustable in height to ensure that tables drain back into the dishwasher.
- Included splashback to prevent water spatter.
- Deep anti-drip profiles completely folded with lower edge for safe and easy cleaning.
- All surfaces smooth with polished finish.
- 40x40 mm square tubular legs in AISI 304 stainless steel.
- 304 AISI stainless steel construction throughout.
- Bowl size 500x400x300h with drain hole and strainer.

Optional Accessories

- Double hole deck mounted elbow operated mixing temperature faucet with pre-rinse unit PNC 855379
- Deck mounted mixing temperature pre-rinse unit PNC 855380
- Wall mounted mixing temperature pre-rinse unit PNC 855381
- Single hole deck mounted mixing temperature pre-rinse unit PNC 855385
- Single hole deck mounted elbow operated mixing temperature faucet with pre-rinse unit PNC 855386
- Single hole deck mounted riser add-on mixing temperature faucet with pre-rinse unit PNC 855389
- Strainer basket for prewash tables PNC 864068
- Undershelf for Dishwasher table, 1800mm PNC 865354
- Floor fastening kit for 2 square legs PNC 865386
- Single plastic drain syphon 2" for Sinks PNC 895313

APPROVAL: _____



Key Information:

External dimensions,
Width:

865333 (PTSBHT18L) 1800 mm

External dimensions,
Depth:

745 mm

External dimensions,
Height:

1170 mm

Net weight:

18 kg

Splashback Dimensions,
Height:

300 mm

Basin dimensions:

500x400x300h